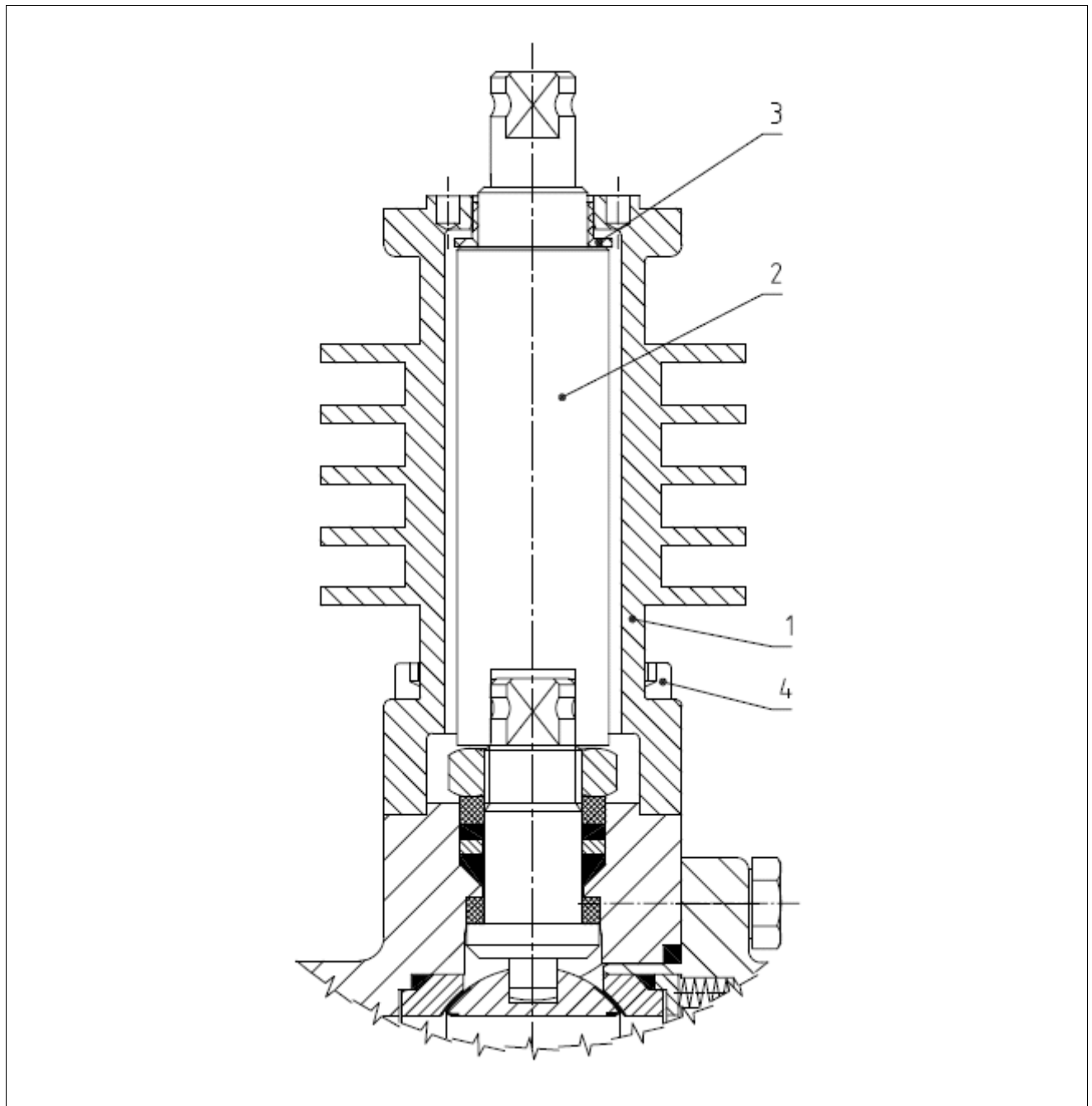


BALL VALVES INTEC

Stem extension with cooling fin INTEC 11-S



No.	Part	Material
1	body	1.4571/1.4404
2	coupling	1.4462/1.4980
3	bearing	KF
4	socket screw	A2-70/1.4980

Subject to modification. 02/2018